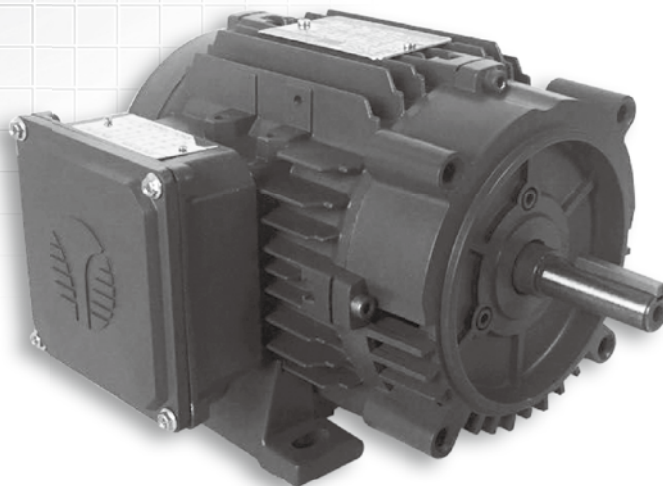


NEMA Premium Efficiency Three-Phase Motors Aluminum ODP

- 1/4HP thru 15HP
- 56 thru 215T

STANDARD FEATURES

- Continuous Duty 40°C Ambient
- Aluminum Housing
- Ball bearings
- IP23 Protection



APPLICATIONS

- Pumps
- Compressors
- Fans
- Machine Tools
- Other General Purpose Three Phase Applications

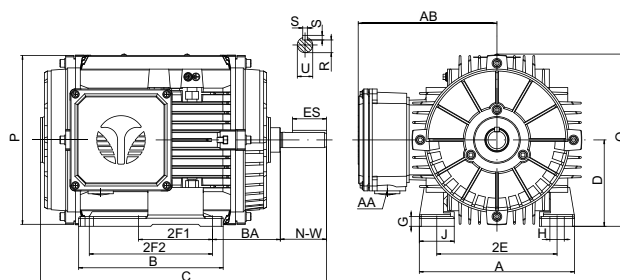


Figure 1 56 thru 210T (Foot Mounting)

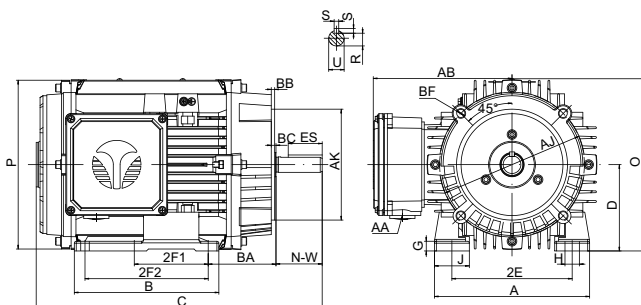


Figure 2 56 thru 140T (C-Face)

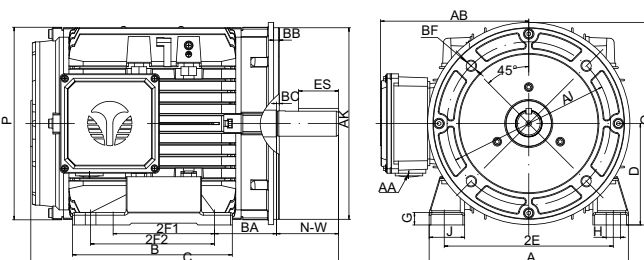


Figure 3 180T, 210T (C-Face)

Overall & Installation Dimensions

Frame	Foot Mounting							Shaft					General					Bearings		C-Face						
	A	B	D	2E	2F1	2F2	BA	H	U	N-W	R	ES	S	AA	G	J	AB	O	P	DE	NDE	AJ	AK	BB	BC	BF
56	6.3	3.95	3.5	4.88	3		2.75	0.73×0.335	0.625	1.875	0.517	1.375	0.1875	1/2-14NPT	0.43	1.37	5.2	6.6	6.2	6204	6203	5.875	4.5	0.16	-0.19	4×3/8-16UNC
56H	6.3	5.9	3.5	4.88	3	5	2.75	0.58×0.335	0.625	1.875	0.517	1.375	0.1875	1/2-14NPT	0.39	1.41	5.65	7.0	6.95	6205	6204	5.875	4.5	0.16	-0.19	4×3/8-16UNC
140T	6.9	5.86	3.5	5.5	4	5	2.25	0.50×0.35	0.875	2.25	0.771	1.375	0.1875	3/4-14NPT	0.47	1.41	5.65	7.0	6.95	6205	6204	5.875	4.5	0.16	0.12	4×3/8-16UNC
180T	8.85	7.1	4.5	7.5	4.5	5.5	2.75	0.59×0.433	1.125	2.75	0.986	1.75	0.25	3/4-14NPT	0.55	1.57	6.6	8.85	8.65	6306	6206	7.25	8.5	0.25	0.12	4×1/2-13UNC
210T	10.3	8.85	5.25	8.5	5.5	7	3.5	0.59×0.433	1.375	3.375	1.201	2.41	0.312	1-11 1/2NPT	0.63	1.73	7.4	10.4	10.3	6308	6208	7.25	8.5	0.25	0.25	4×1/2-13UNC



DP Three-Phase Motors Technical Data

HP	Full Load Speed, RPM	Frame Size	EFF. 100% FL	Power Factor 100% FL	IFL 460V A	Full Load Torque Lb-Ft	Moment Of Inertia Lb-Ft Squared	Locked Rotor		TST TFL	TPU TFL	TM TFL	Service Factor	Dim "C"
								KVA Code	II/In					
1/4	3520	56	65.6	69.0	0.50	0.36	0.0107	L	6.3	3	2.2	3.4	1.25	10
	1750	56	69.5	58.0	0.56	0.72	0.0169	K	5.0	2.9	2.4	3.7	1.25	10
	1150	56	67.5	61.0	0.55	1.10	0.0242	J	4.4	2.3	2	2.8	1.25	10
1/3	3520	56	69.5	70.0	0.64	0.50	0.0121	M	7.4	3.3	2.7	4.1	1.25	10
	1750	56	73.4	63.0	0.68	1.00	0.0188	K	5.6	3.4	2.7	3.7	1.25	10
	1150	56	71.4	62.0	0.71	1.53	0.0299	J	4.4	2.1	1.8	2.7	1.25	10
1/2	3490	56	73.4	72.0	0.88	0.75	0.0121	L	6.7	3.1	3	3.8	1.25	10
	1750	56	78.2	66.0	0.90	1.49	0.0228	L	6.4	3.2	2.7	3.7	1.25	10
	1140	56	75.3	66.0	0.93	2.29	0.0382	H	4.5	2.5	2.3	2.8	1.25	10
3/4	3500	56	76.8	75.0	1.20	1.11	0.0142	L	7.3	3.1	2.4	3.4	1.25	10
	1750	56	81.1	68.0	1.25	2.21	0.0268	L	7.0	3.4	2.9	3.9	1.25	10
	1160	56H	81.7	66.0	1.28	3.34	0.0726	J	5.8	2.5	2.3	3.3	1.25	11.6
1	3490	56	77.0	77.0	1.59	1.51	0.0161	K	7.2	3.1	2.1	3.1	1.25	10
	3490	56H	77.0	76.0	1.61	1.51	0.0228	K	6.9	2.8	2.2	3.3	1.25	11.6
		140T												11.7
	1745	56	83.5	69.0	1.63	3.03	0.0387	L	7.7	3.7	3.6	4.4	1.25	11.5
	1745	56H	85.5	71.0	1.55	3.03	0.0553	L	7.8	3.4	3.4	4.2	1.25	11.6
		140T												11.7
1145	56H	82.5	70.0	1.63	4.61	0.0802	H	5.3	2.2	2.1	3	1.25	11.6	
	140T												11.7	
1.5	3500	56	84.0	84.0	1.96	2.21	0.0229	M	9.8	3.1	2.6	3.7	1.25	11.5
	3500	56H	84.0	80.0	2.06	2.21	0.0285	L	8.9	3.1	3.2	3.7	1.25	11.6
		140T												11.7
	1735	56	86.5	72.0	2.22	4.47	0.0427	K	7.3	3.4	3.1	3.7	1.25	11.5
	1745	56H	86.5	75.0	2.13	4.44	0.0717	L	8.2	3.5	3.2	4.1	1.25	11.6
		140T												11.7
1175	180T	86.5	68.0	2.35	6.59	0.3465	L	7.4	2.6	1.9	3.6	1.25	13.8	
2	3500	56	85.5	84.0	2.62	3.02	0.0271	L	9.3	3.5	2.9	4.2	1.25	11.5
	3500	56H	85.5	85.0	2.59	3.02	0.0339	L	9.0	2.8	2	3.3	1.25	11.6
		140T												11.7
	1740	56H	86.5	76.0	2.86	6.07	0.0880	L	8.4	3.7	3.3	4.1	1.25	12.8
		140T												12.9
1175	180T	87.5	68.0	3.16	8.99	0.4509	L	7.5	2.6	1.8	3.6	1.25	16.1	
3	3490	56H	85.5	88.0	3.67	4.44	0.0413	K	8.4	2.6	1.6	3.3	1.25	12.8
		140T												12.9
	3515	180T	85.5	89.0	3.63	4.41	0.0975	K	9.3	2.4	1.5	3.5	1.25	13.8
	1730	56H	86.9	75.0	4.24	8.96	0.1013	K	8.1	3.3	3.1	3.6	1.25	14.8
	1760	180T	89.5	81.0	3.81	8.81	0.2397	L	9.8	2.5	2.4	4.2	1.25	13.8
1175	210T	88.5	71.0	4.39	13.19	0.8804	K	7.8	2.3	1.6	3.1	1.25	16.6	
5	3500	56H	86.5	87.0	6.17	7.45	0.0560	L	10.0	3.5	2.8	3.8	1.25	14.8
	3510	180T	86.5	91.0	5.90	7.43	0.1305	L	10.6	3	2.3	4.1	1.25	13.8
	1750	180T	89.5	84.0	6.18	14.89	0.3037	L	9.5	2.8	2.4	3.8	1.25	16.1
	1170	210T	89.5	73.0	7.11	22.28	1.0868	J	6.9	2.4	1.8	2.9	1.25	16.6
7.5	3510	180T	88.5	90.0	8.67	11.04	0.1633	L	9.9	3.2	2.5	3.8	1.25	16.1
	3520	210T	88.5	91.0	8.57	11.01	0.3061	K	9.6	2.6	1.7	3.6	1.25	16.6
	1765	210T	91.0	85.0	8.92	21.95	0.7926	L	10.1	2.6	1.9	4	1.25	16.6
10	3520	210T	89.5	92.0	11.4	15.01	0.3797	L	10.1	2.7	1.5	3.9	1.25	16.6
	1760	210T	91.7	86.0	12.0	30.02	0.9729	L	10.3	3.1	1.7	3.8	1.25	19
15	3530	210T	90.2	92.0	16.6	21.95	0.4675	L	11.3	3.4	2.1	4.1	1.25	19

IEC MOTOR

FIRE PUMP MOTOR

GOST MOTOR

NEMA MOTOR

DC MOTOR

EC MOTOR